

75Kw & 90Kw



P3754 & P3904

Additional Protection

1. Temperature Sensor
2. Moisture Sensor - Mechanical Seal
3. 5 Bearing System

Control Panel

1. Supplied with ABB soft starter
2. Temperature relay for auto cut off
3. Warrick moisture sensor cum relay

Material of Construction

1. All wet parts SG 500/7
2. Impeller 316L
3. Dual class winding
4. HO7RNF Cable 20 Mtrs.
5. 6 wire data cable
6. Dual Mechanical Seal or oil seal
7. Stainless Steel Mesh

INDRA HYDRO TECH PUMPS PVT LTD

No.85/M, Ground Floor, Industrial Suburb, 2nd Stage Gautham Nagar, Tumkur Road
Yeshwanthpur, Bangalore 560 022, Karnataka, INDIA

Tel. : +91 80 4163 5638, Mobile: +91 94835 26899 / 80736 22800

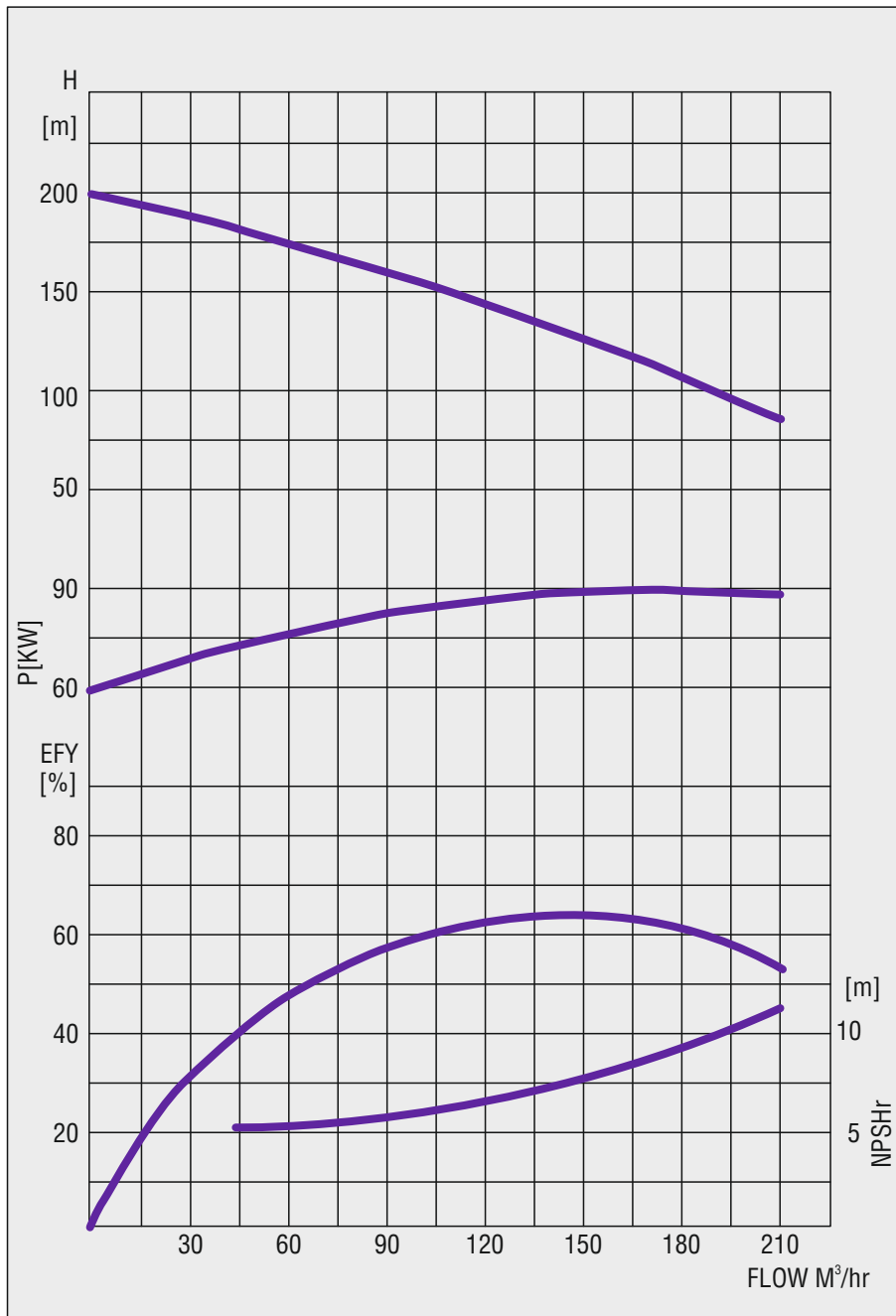
Email : sales@ihpumps.in, Web : www.ihpindia.in | www.ihpumps.in

ROBUST SERIES

Pump Type:	ROBUST	Motor Type:	Water Cooled
Model No:	P3906	Maximum Depth	25 Mtr.
Number of Poles:	2	Total Head (m):	198
No. of Stages:	2	Discharge (m ³ /hr):	210
Motor Rating (kW/HP) P2:	90kW	Ph Value	4
Voltage (V):	415	Delivery Size (mm):	6"
Phase:	3	Outside Temp (deg):	40°C
Maximum Current (A)	172A	Water Temp (deg):	40°C
Rated Speed (rpm):	2950	Power Factor	0.911
Frequency (Hz):	50Hz	Efficiency	87%
		Maximum Weight	1500 Kg

Curve Tolerance ISO - 9906 - 2012 - 2B

Duty Point:
Head: 133 Mtr
Flow: 144 M³/hr



INDRA HYDRO TECH PUMPS PVT LTD

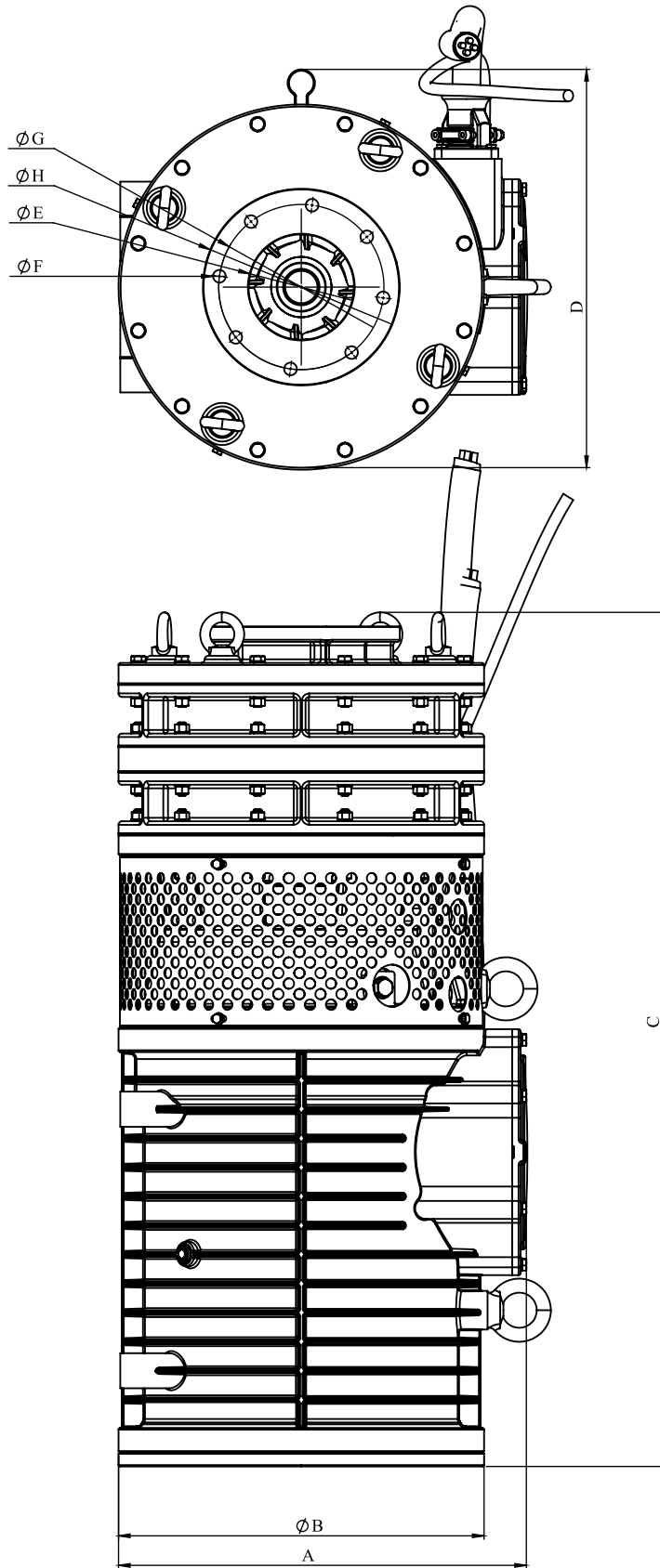
No.85/M, Ground Floor, Industrial Suburb, 2nd Stage Gautham Nagar, Tumkur Road

Yeshwanthpur, Bangalore 560 022, Karnataka, INDIA

Tel. : +91 80 4163 5638, Mobile: +91 94835 26899 / 80736 22800

Email : sales@ihpumps.in, Web : www.ihpindia.in | www.ihpumps.in

K



All measurements are in mm.

A	B	C	D	E	F	G	H
580	520	1216	567	150	18	235	280

INDRA HYDRO TECH PUMPS PVT LTD

No.85/M, Ground Floor, Industrial Suburb, 2nd Stage Gautham Nagar, Tumkur Road

Yeshwanthpur, Bangalore 560 022, Karnataka, INDIA

Tel. : +91 80 4163 5638, Mobile: +91 94835 26899 / 80736 22800

Email : sales@ihpumps.in, Web : www.ihpindia.in | www.ihpumps.in