

SLD - 31008 - [75Kw / 100HP]

(50 Hz Standard 460V / 3 Phase / 750 RPM / 8 Pole)

The SLD sludge / slurry range pumps has quality 10 models (6 pole and 8 pole) for a variety of pump duties. Manufactured using only quality materials and the most modern CNC machining processes. With double silicon carbide mechanical seals in an oil bath and a hardened casing for long trouble free operation.

The Pump can handle up to 2.65 sp. gravity of solids & 70% by weight CW. This is subject to d50 values and calculation as per HI recommendation slurry pump selection procedure



Each pump is fitted with a high chromium alloy steel agitator to assist with the reduction of solids to a slurry and which prevents the clogging of the inlet.

FEATURES AND BENEFITS

- Solids to slurry
- Prevents clogging
- High chromium alloy steel - impeller / agitator / wear plate
- Maximum submergence 40 mtr.

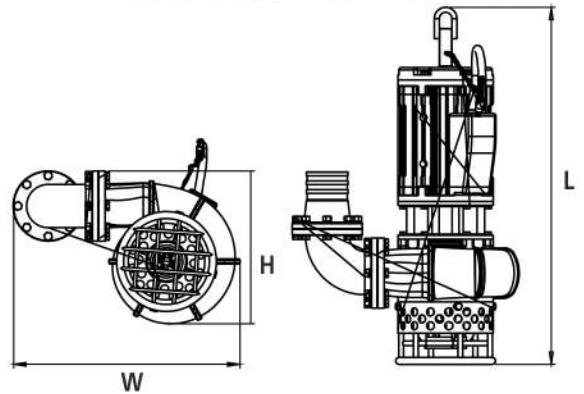
CONSTRUCTION

- Dual class winding - IP 68
- 4 Roller Bearing plus 1 angular Thrust Bearing
- Volute casting / Agitator / Impeller / Wear plate (27% chrome) High Wear Resistance
- All other cast parts SG IRON 500 / 7

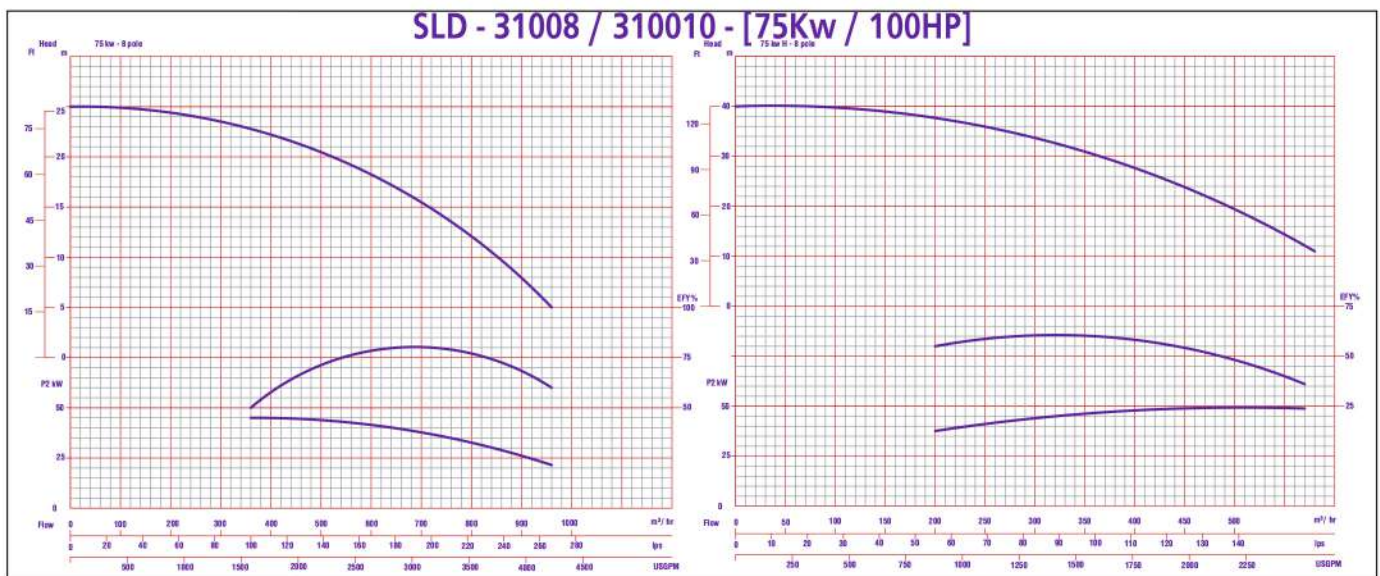


SPECIAL FEATURES

- Pump Casing / Impeller/Agitator/Wear plate - High Chrome 27% / the hardness 55-58 Rockwell C
- Moisture Sensor to protect motor windings
- Temperature sensor to protect the motor
- Max. working depth 40 Mtr.
- Option available - Duplex Steel / SS316L
- Shaft - SS431 - Cable HO7RNF 4C x 60mm Sq. x 10 Mtr. Ln.
- Max. Liquid Temp. 40° C [104° F]



DIMENSIONS (mm)				
Model	H	L	W	Weight Kg
SLD31008	1180	2015	1485	2300
SLD310010	1345	2200	1475	2700



Predicted Performance Curve Subjected to ISO 9906 Gr 3b 2018 Performance with water at 30°C

INDRA HYDRO TECH PUMPS PVT LTD

No.85/M, Ground Floor, Industrial Suburb, 2nd Stage Gautham Nagar, Tumkur Road

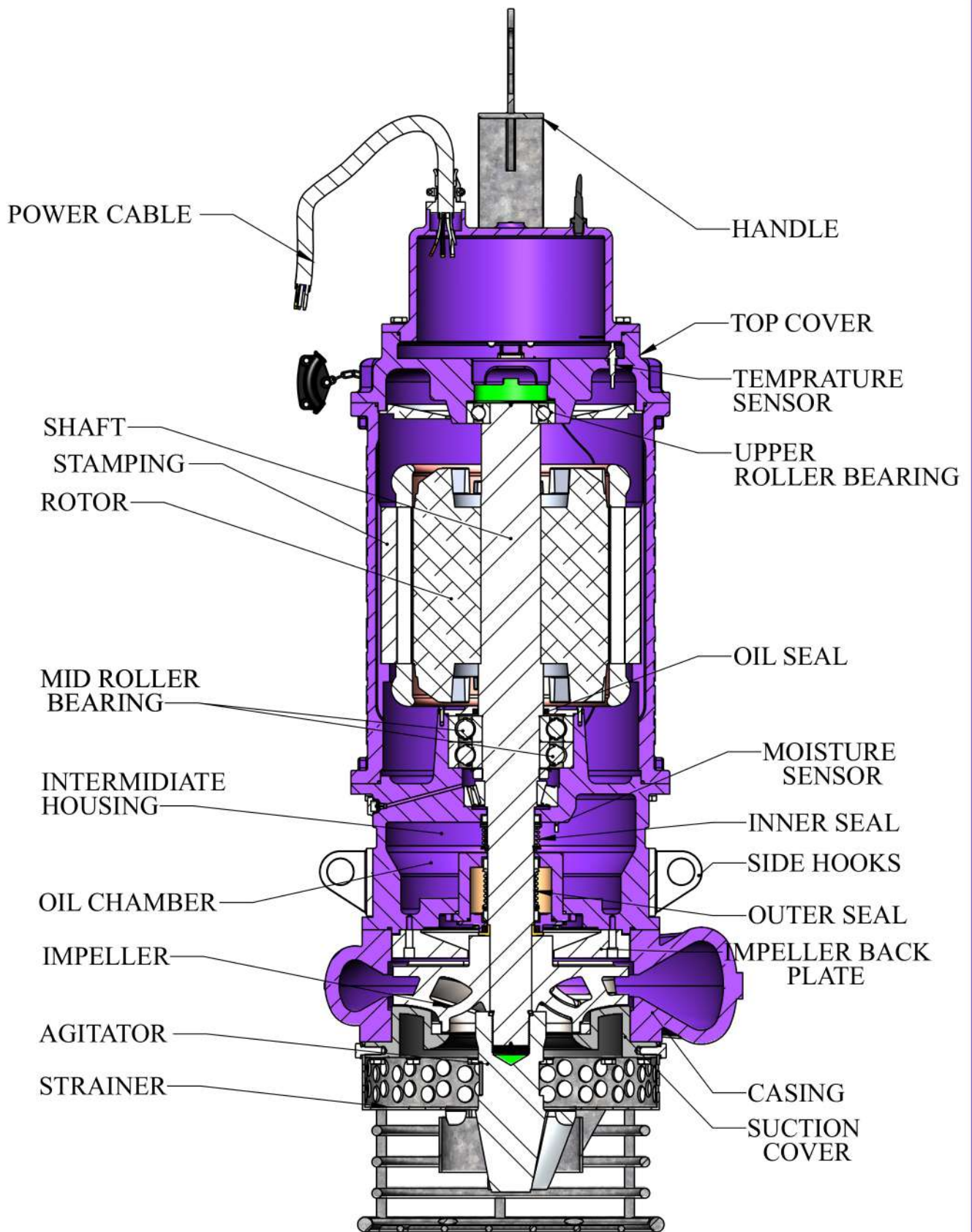
Yeshwanthpur, Bangalore 560 022, Karnataka, INDIA

Tel. : +91 80 4163 5638, Mobile: +91 94835 26899 / 80736 22800

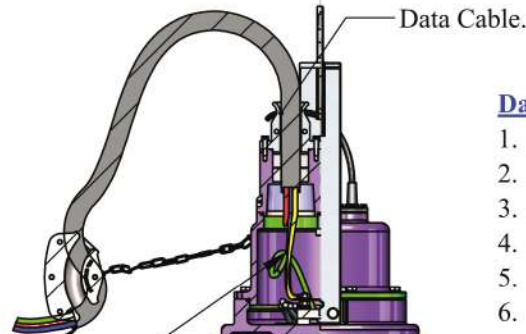
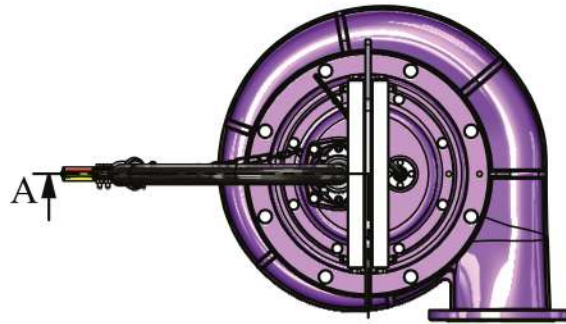
Email : sales@ihpumps.in, Web : www.ihpindia.in | www.ihpumps.in

SLD - 31008 - [75Kw / 100HP]

(50 Hz Standard 460V / 3 Phase / 750 RPM / 8 Pole)



INDRA HYDRO TECH PUMPS PVT LTD



Power Cable Details.

1. Red :- Phase.
2. Yellow :- Phase.
3. Blue :- Phase.
4. Green: - Earth.

Data Cable details.

1. Blue :- Mechanical seal sensor.
2. Yellow :- Mechanical seal sensor.
3. Green :- Motor sensor.
4. Pink :- Motor sensor.
5. Ace :- Winding Temperature sensor.
6. Brown :- Winding Temperature sensor.

POWER CABLE
CABLE HOUSING

SHAFT
ROTOR
STATOR
RADIAL BALL BEARING
GREASE INPUT NOZZLE
MECHANICAL SEAL
OIL CHAMBER
MECHANICAL SEAL
IMPELLER
SUCTION COVER
AGITATOR

Mesh to be used as earth.

STATOR LOCK BOLT
LIFTING HOOK
DELIVERY NECK

INDRA HYDRO TECH PUMPS PVT LTD

No.85/M, Ground Floor, Industrial Suburb, 2nd Stage Gautham Nagar, Tumkur Road

Yeshwanthpur, Bangalore 560 022, Karnataka, INDIA

Tel. : +91 80 4163 5638, Mobile: +91 94835 26899 / 80736 22800

Email : sales@ihpumps.in, Web : www.ihpindia.in | www.ihpumps.in

SLD - 315010 - [110-Kw / 150HP]

(50 Hz Standard 460V / 3 Phase / 600 RPM / 10 Pole)

The SLD sludge / slurry range pumps has quality 10 models (6 pole and 10 pole) for a variety of pump duties. Manufactured using only quality materials and the most modern CNC machining processes. With double silicon carbide mechanical seals in an oil bath and a hardened casing for long trouble free operation.

The Pump can handle up to 2.65 sp. gravity of solids & 70% by weight CW. This is subject to d50 values and calculation as per HI recommendation slurry pump selection procedure



Each pump is fitted with a high chromium alloy steel agitator to assist with the reduction of solids to a slurry and which prevents the clogging of the inlet.

FEATURES AND BENEFITS

- Solids to slurry
- Prevents clogging
- High chromium alloy steel - impeller / agitator / wear plate
- Maximum submergence 40 mtr.

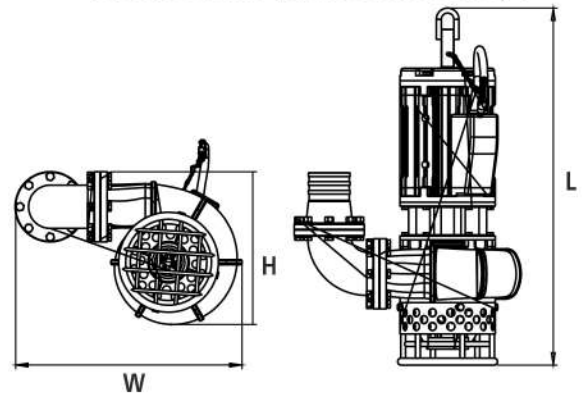
CONSTRUCTION

- Dual class winding - IP 68
- 4 Roller Bearing plus 1 angular Thrust Bearing
- Volute casting / Agitator / Impeller / Wear plate (27% chrome) High Wear Resistance
- All other cast parts SG IRON 500 / 7

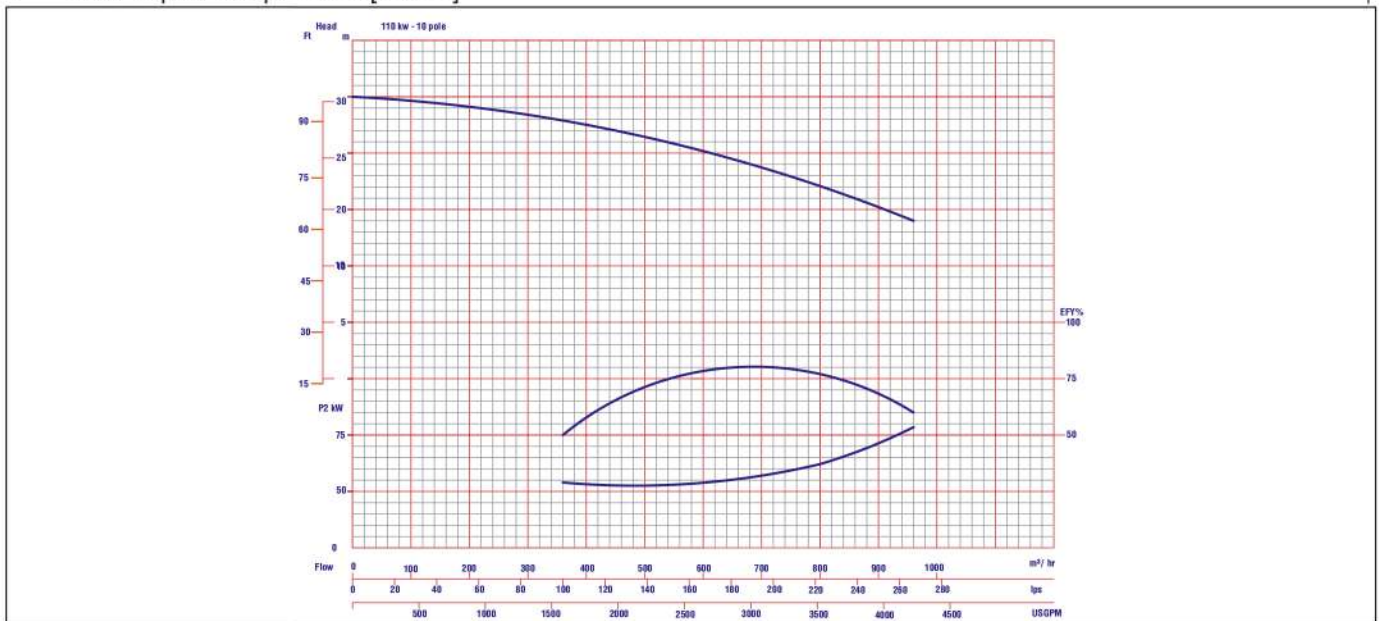


SPECIAL FEATURES

- Pump Casing / Impeller/Agitator/Wear plate - High Chrome 27% / the hardness 55-58 Rockwell C
- Moisture Sensor to protect motor windings
- Temperature sensor to protect the motor
- Max. working depth 40 Mtr.
- Option available - Duplex Steel / SS316L
- Shaft - SS431 - Cable HO7RNF 4C x 100mm Sq. x 10 Mtr. Ln.
- Max. Liquid Temp. 40° C [104° F]



DIMENSIONS (mm)				
Model	H	L	W	Weight Kg
SLD315010	1330	2925	1595	3500



Predicted Performance Curve Subjected to ISO 9906 Gr 3b 2018 Performance with water at 30°C

INDRA HYDRO TECH PUMPS PVT LTD

No.85/M, Ground Floor, Industrial Suburb, 2nd Stage Gautham Nagar, Tumkur Road

Yeshwanthpur, Bangalore 560 022, Karnataka, INDIA

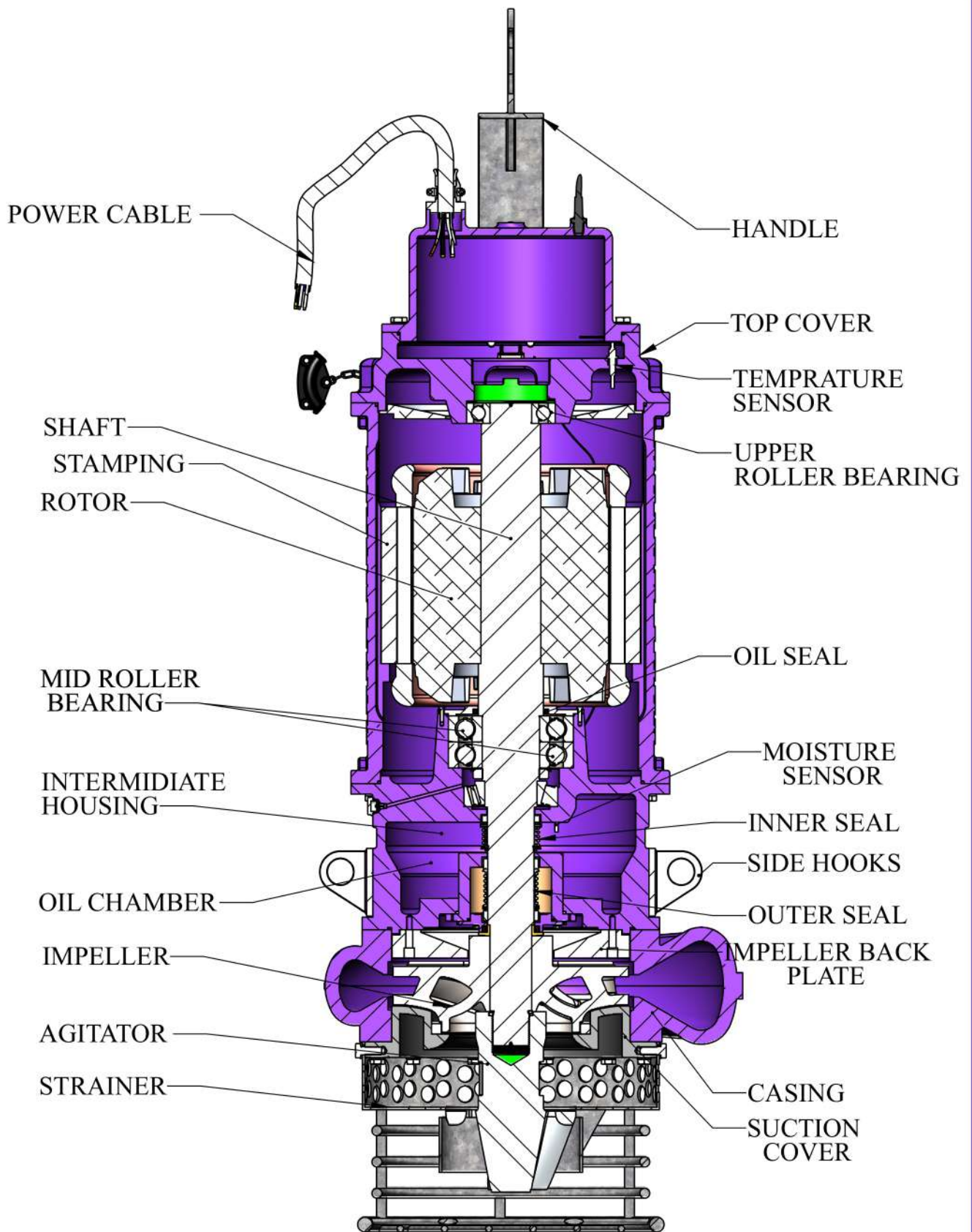
Tel. : +91 80 4163 5638, Mobile: +91 94835 26899 / 80736 22800

Email : sales@ihpumps.in, Web : www.ihpindia.in | www.ihpumps.in

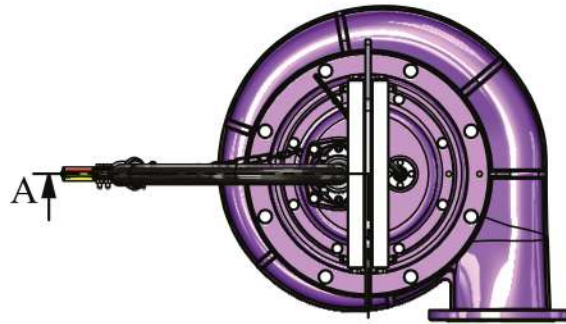
SLD - 315010 - [110-Kw / 150HP]

(50 Hz Standard 460V / 3 Phase / 600 RPM / 10 Pole)

Sectional Drawing



INDRA HYDRO TECH PUMPS PVT LTD

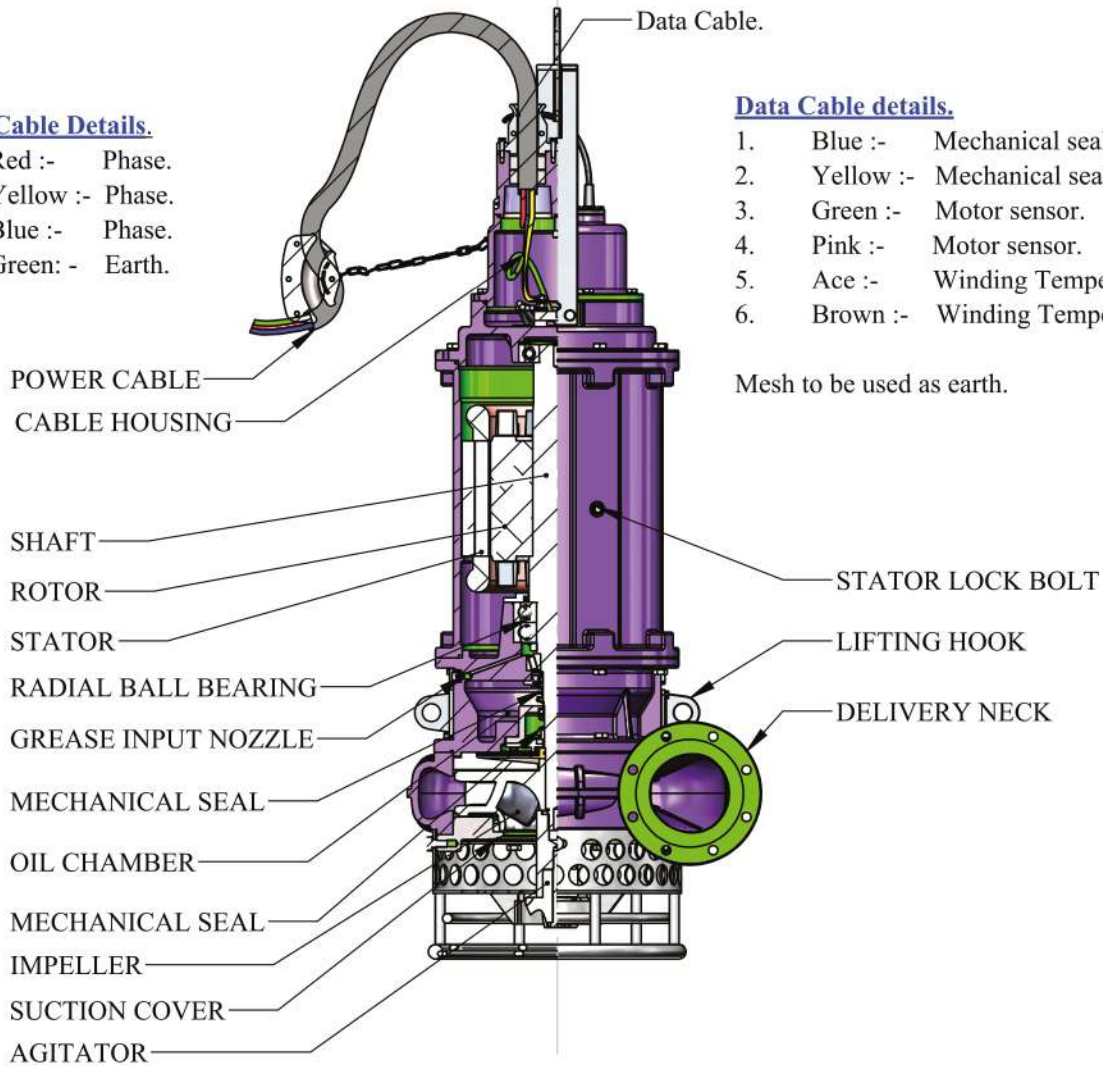


Power Cable Details.

1. Red :- Phase.
2. Yellow :- Phase.
3. Blue :- Phase.
4. Green: - Earth.

Data Cable details.

1. Blue :- Mechanical seal sensor.
2. Yellow :- Mechanical seal sensor.
3. Green :- Motor sensor.
4. Pink :- Motor sensor.
5. Ace :- Winding Temperature sensor.
6. Brown :- Winding Temperature sensor.



INDRA HYDRO TECH PUMPS PVT LTD

No.85/M, Ground Floor, Industrial Suburb, 2nd Stage Gautham Nagar, Tumkur Road

Yeshwanthpur, Bangalore 560 022, Karnataka, INDIA

Tel. : +91 80 4163 5638, Mobile: +91 94835 26899 / 80736 22800

Email : sales@ihpumps.in, Web : www.ihpindia.in | www.ihpumps.in